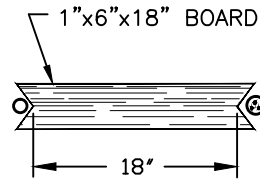


GENERAL NOTES

- 1) WHEN SURFACE IS NOT TO FINAL GRADE, THE TRENCH MUST BE AT A DEPTH TO MEET OR EXCEED THE MINIMUM REQUIREMENTS AT TIME OF INSTALLATION AND SUBSEQUENT THERETO (2002 NESC 352D2c).
- 2) ANY TURNS IN TRENCH SHALL BE GRADUAL ENOUGH THAT PVC CONDUIT CAN BEND AROUND TURN WITHOUT USING A SWEEP.
- 3) TRENCH MUST BE CLEAR OF ROOTS, DEBRIS AND WATER TO ALLOW INSTALLATION OF CONDUIT.
- 4) TRENCH BOTTOM MUST BE FLAT ENOUGH TO AVOID LONG UNSUPPORTED CONDUIT BRIDGES WHICH COULD CAUSE CONDUIT TO BREAK WHEN BACKFILLED.
- 5) TRENCH WIDTH MUST BE WIDE ENOUGH TO ALLOW INSTALLATION OF CONDUIT.
- 6) DIG TRENCH TO BASE OF POLE OR EDGE OF EQUIPMENT PAD
- 7) SECONDARY CABLE SHALL NOT BE INSTALLED WITHIN 5 FT. OF A SWIMMING POOL OR ITS AUXILIARY EQUIPMENT (2002 NESC 351C1).
- 8) RADIAL SEPARATION BETWEEN SECONDARY CABLE AND OTHER UNDERGROUND STRUCTURES SHALL NOT BE LESS THAN 12 INCHES (2002 NESC 353).
- 9) SECONDARY CABLE SHALL NOT BE INSTALLED WITHIN 25 FT. OF WATER WELL.
- 10) SEE SPECIFICATIONS FOR INSTALLATION OF PAD MOUNTED EQUIPMENT WHICH MAY APPLY TO THE SPECIFIC PROJECT. CONTACT OZARK ELECTRIC ENGINEERING DEPARTMENT AT (417) 725-5160 OR (417) 466-2144 IF ANY QUESTIONS ARISE.






WOODEN SPACER DETAIL

(PROVIDED BY MEMBER)
NTS

JOINT USE TRENCH

JOINT USE OF TRENCH FOR WATER LINES OR ELECTRIC BRANCH CIRCUITS IN CONDUIT IS PERMITTED IN 120/240 VOLT SERVICE TRENCHES ONLY. MEMBER PROVIDED WOODEN SPACERS THAT ARE 18" LONG MUST BE INSTALLED BETWEEN THE ELECTRIC SERVICE CONDUIT AND OTHER PIPE OR CONDUIT BEFORE TRENCH IS BACKFILLED. JOINT USE OF OZARK ELECTRIC 15,000 VOLT TRENCH IS NOT PERMITTED IN ANY PART OF TRENCH.

LEGEND

-  SAND OR CLEAN SOIL
-  COMPACTED BACKFILL UNLESS OTHERWISE SPECIFIED
-  UNDISTURBED EARTH

NOTE:

MEMBER IS SOLEY RESPONSIBLE FOR REQUESTING MARKING OF EXISTING UNDERGROUND UTILITIES.

SECONDARY TRENCH

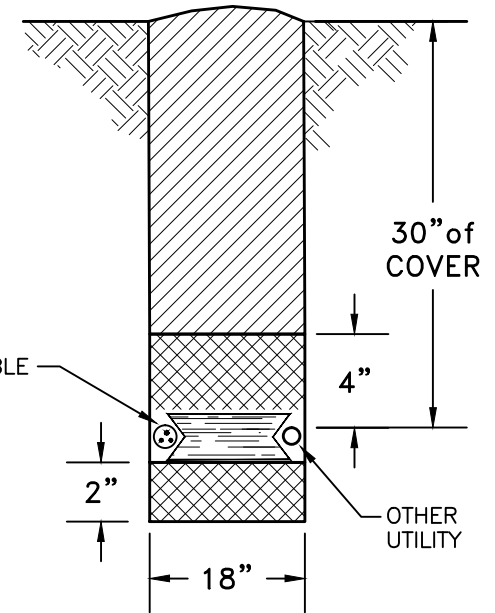
120/240 OR 480 VOLT CABLE

JOINT USE PERMITTED

MAXIMUM LENGTH 150'
SERVICE ENTRANCE EQUIPMENT MUST BE INSTALLED

NOTE:

COOPERATIVE WORKERS WILL NOT ENTER TRENCHES IN EXCESS OF 48" DEPTH (OSHA).



SECONDARY TRENCH

NTS

PUB.DATE: 08/01/12

OZARK ELECTRIC ENGINEERING DEPARTMENT MUST REVIEW TRENCH PRIOR TO WORK ORDER BEING RELEASED. CONTACT OZARK ELECTRIC WHEN TRENCH IS COMPLETE.

SPECIFICATIONS FOR SECONDARY/SERVICE TRENCH INSTALLATION

17 OZARK ELECTRIC COOPERATIVE MT. VERNON, MISSOURI

DRAWN BY: DWB

DATE: 03/17/03

CHECKED BY: KMR

SCALE: NONE

APPROVED BY:

DWG: SEC.-DITCH