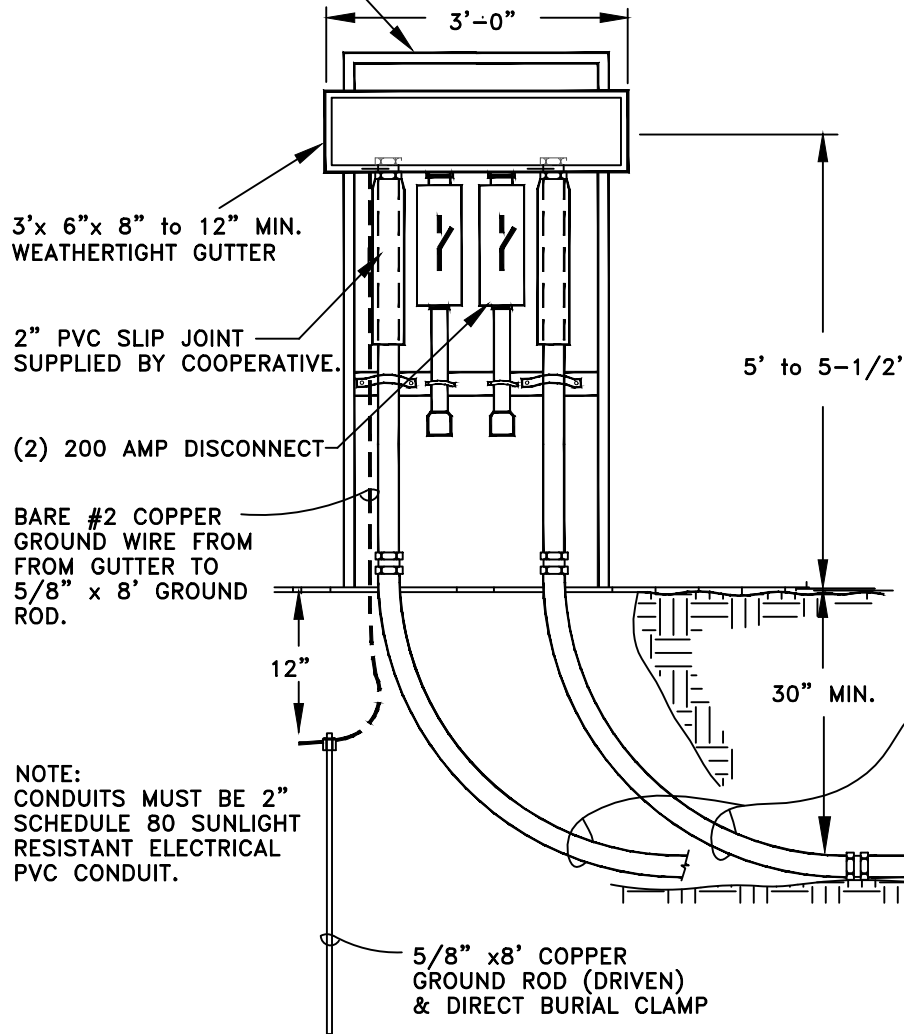
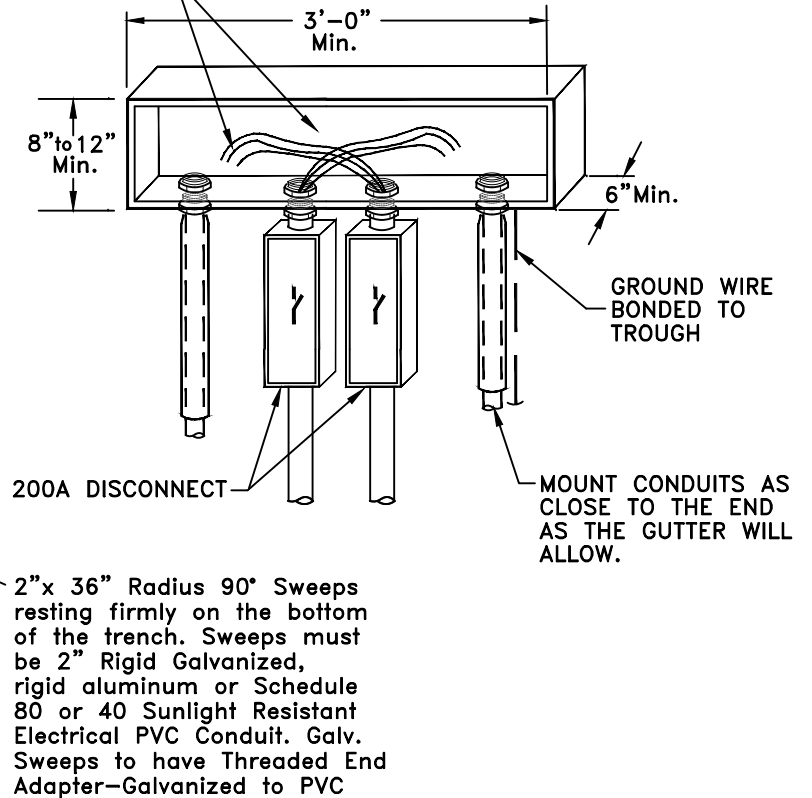


STAND CAN BE BUILT WITH  
1-1/2" RIGID CONDUIT  
GALVANIZED OR EQUIVALENT  
MUST BE WEATHER RESISTANT.  
WOOD OR BARE STEEL IS  
NOT ACCEPTABLE.

NOTE:  
THIS INSTALLATION TO BE USED FOR  
CT METER INSTALLATION FOR MORE  
THAN 200 AMP SERVICE TO BE  
INSTALLED BY TRANSFORMER AT  
SIDE OR REAR OF TRANSFORMER.



PROVIDE 24" TO 30"  
OF SLACK IN BOX



PUB.DATE: 08/01/12

REV:08/18/2010  
SLIP JOINT

SPECIFICATIONS  
FOR  
400AMP DOUBLE-DISCONNECT  
CT METERED / FREE STANDING

13 OZARK ELECTRIC COOPERATIVE  
MT. VERNON, MISSOURI

DRAWN BY: DWB

DATE: 03/17/03

CHECKED BY: KMR

SCALE: NONE

APPROVED BY:

SPEC-SH/400-DD-CT