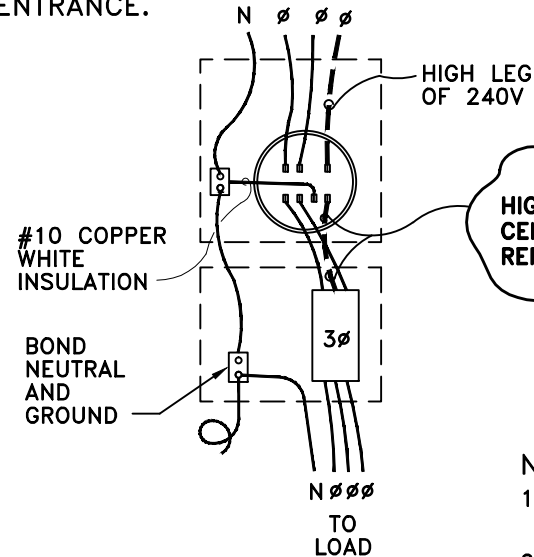
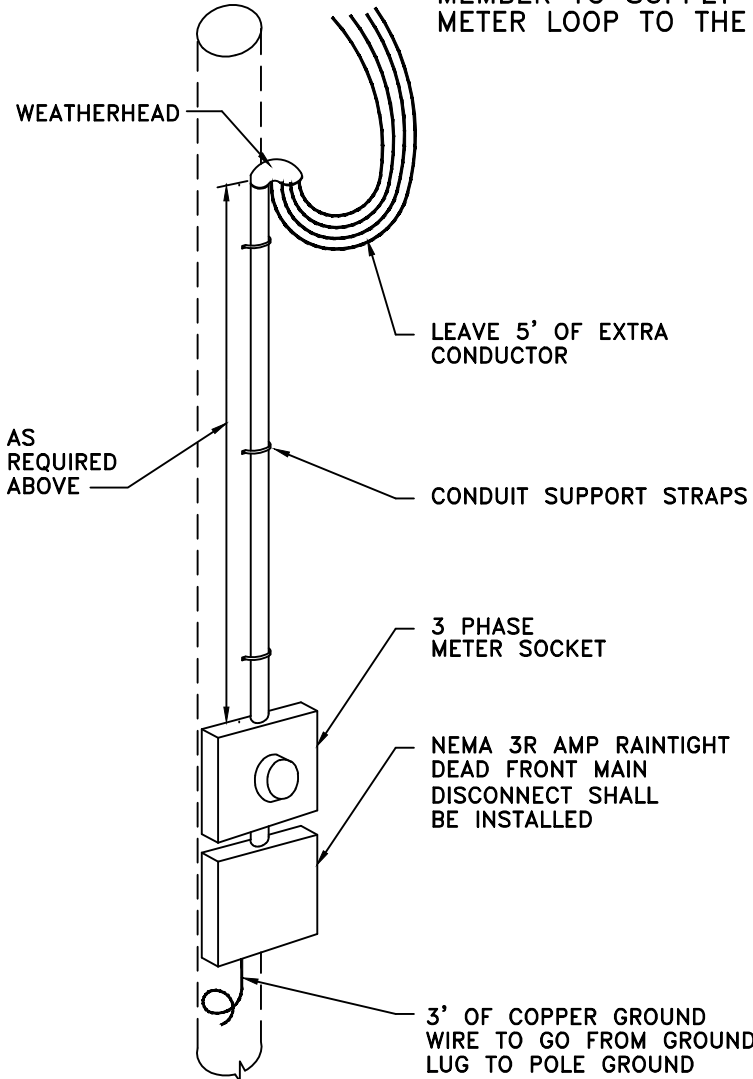


METER LOOP	COPPER WIRE		OR	ALUMINUM WIRE		RIGID CONDUIT GALVANIZED OR ALUMINUM		METER SOCKET & MAIN DISCONNECT	WEATHER HEAD	CONDUIT CLAMP		GROUND WIRE
100 AMP METER LOOP	85'	#4 INSULATED (RH, RHH, RHW, THW, XHHW, THHW) STRANDED COPPER CONDUCTOR	85'	#2 INSULATED (RH, RHH, RHW, THW, XHHW, THHW) STRANDED ALUMINUM CONDUCTOR	15'	1-1/2"	100 AMP	1 unit	3 ea.	CONDUIT SUPPORT STRAPS	3'	#6 COPPER GROUND WIRE
200 AMP METER LOOP	85'	#2/0 INSULATED (RH, RHH, RHW, THW, XHHW, THHW) STRANDED COPPER CONDUCTOR	85'	#4/0 INSULATED (RH, RHH, RHW, THW, XHHW, THHW) STRANDED ALUMINUM CONDUCTOR	15'	2-1/2"	200 AMP	1 unit	3 ea.	CONDUIT SUPPORT STRAPS	3'	#4 COPPER GROUND WIRE
MOUNTED ON 45' TRANSFORMER POLE	100'	SIZE AND TYPE AS ABOVE	100'	SIZE AND TYPE AS ABOVE	20'	DIAMETER AS ABOVE	SIZE AS ABOVE	1 unit	3 ea.	CONDUIT SUPPORT STRAPS	3'	SIZE AS ABOVE

NOTE:
MEMBER TO SUPPLY WIRE FROM THE METER LOOP TO THE SERVICE ENTRANCE.

WIRING SCHEMATIC



HIGH LEG OF 240V CONNECTS TO CENTER LUG IN MEMBER'S BREAKER
REF: NEC 384-3(f)

NOTES:

- 1) ALL MEMBER'S WIRES WILL BE UNDERGROUND.
- 2) MEMBER MUST HAVE METER LOOP ASSEMBLED.
- 3) ONLY COOPERATIVE EMPLOYEES MAY HANG METER LOOP ON TRANSFORMER POLE.

PUB. DATE: 08/01/12

OZARK ELECTRIC COOPERATIVE
MT. VERNON, MISSOURI

3 PHASE METER LOOP
120/240V OR 120/208V
MEMBER'S WIRES UNDERGROUND

3

DRAWN BY: DB	DATE: 03/17/03
CHECKED BY: KMR	SCALE: NONE
APPROVED BY:	SPEC-SH/3PL-LOOP