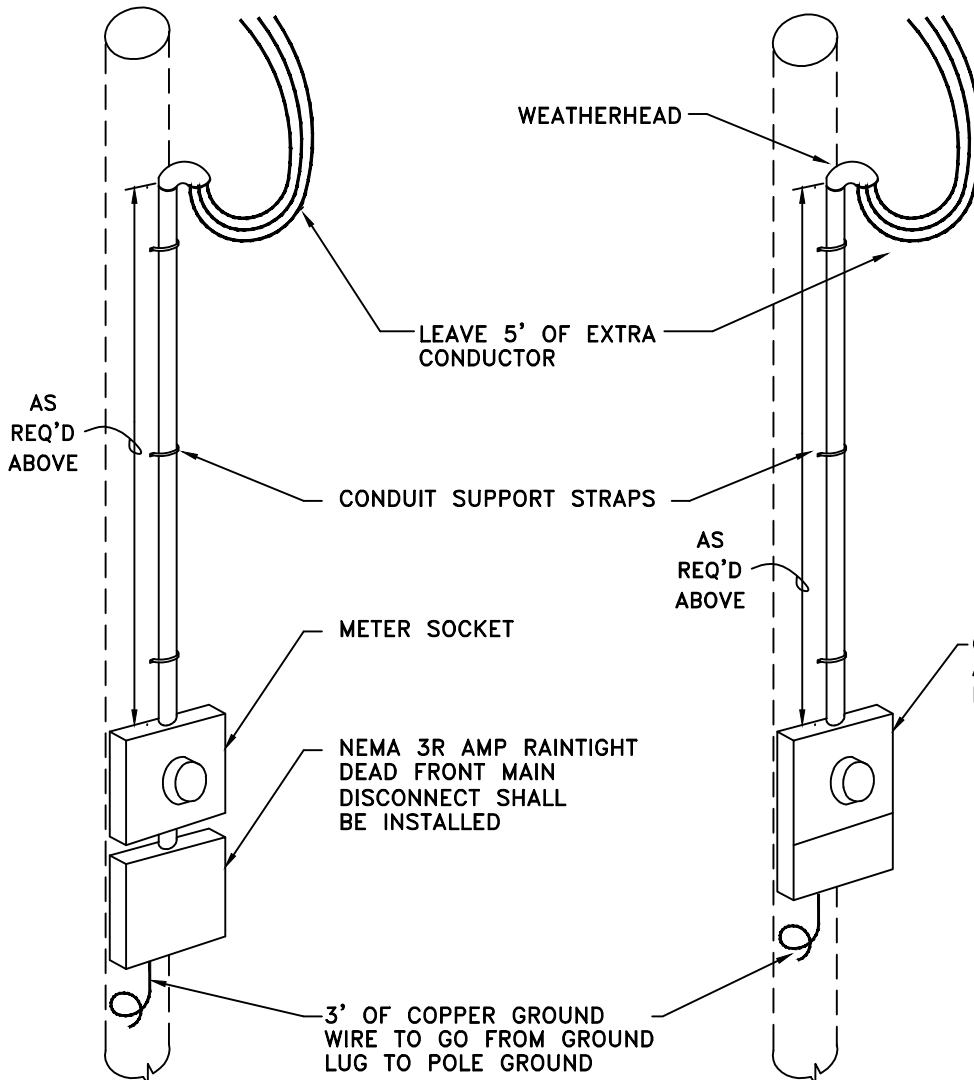
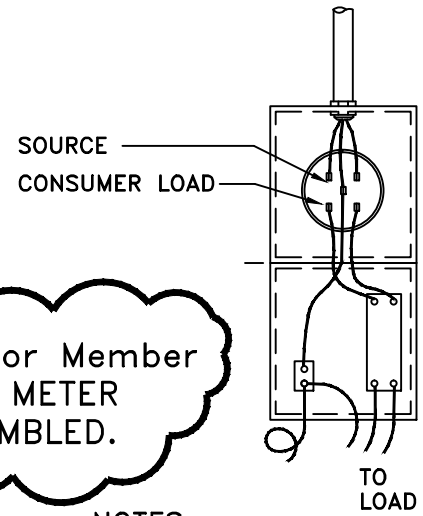


METER LOOP	COPPER WIRE		OR	ALUMINUM WIRE		RIGID CONDUIT GALVANIZED OR ALUMINUM	METER SOCKET & MAIN DISCONNECT	WEATHER HEAD	CONDUIT CLAMP		GROUND WIRE	
100 AMP METER LOOP	65'	#4 INSULATED (RH, RHH, RHW, THW, XHHW, THHW) STRANDED COPPER CONDUCTOR	65'	#2 INSULATED (RH, RHH, RHW, THW, XHHW, THHW) STRANDED ALUMINUM CONDUCTOR	15'	1-1/2" FOR EITHER WIRE	100 AMP	1 unit	3 ea.	CONDUIT SUPPORT STRAPS	3'	#6 COPPER GROUND WIRE
200 AMP METER LOOP	65'	#2/0 INSULATED (RH, RHH, RHW, THW, XHHW, THHW) STRANDED COPPER CONDUCTOR	65'	#4/0 INSULATED (RH, RHH, RHW, THW, XHHW, THHW) STRANDED ALUMINUM CONDUCTOR	15'	1-1/2" FOR COPPER 2" FOR ALUMINUM	200 AMP	1 unit	3 ea.	CONDUIT SUPPORT STRAPS	3'	#4 COPPER GROUND WIRE
MOUNTED ON 40' TRANSFORMER POLE	80'	SIZE AND TYPE AS ABOVE	80'	SIZE AND TYPE AS ABOVE	20'	DIAMETER AS ABOVE	SIZE AS ABOVE	1 unit	3 ea.	CONDUIT SUPPORT STRAPS	3'	SIZE AS ABOVE

NOTE:
MEMBER TO SUPPLY WIRE FROM THE METER LOOP TO THE SERVICE ENTRANCE.



NOTE:
Electrician or Member must have METER LOOP ASSEMBLED.



- NOTES:
- 1) ALL MEMBERS WIRES WILL BE UNDERGROUND.
 - 2) MEMBER MUST HAVE METER LOOP ASSEMBLED.
 - 3) ONLY COOPERATIVE EMPLOYEES MAY HANG METER LOOP ON TRANSFORMER POLE.

PUB.DATE: 08/01/12

OZARK ELECTRIC COOPERATIVE
MT. VERNON, MISSOURI

3 WIRE METER LOOP
MEMBERS WIRES UNDERGROUND

DRAWN BY: DB	DATE: 03/17/03
CHECKED BY: KMR	SCALE: NONE
APPROVED BY:	SPEC-SH/3WIRE-LOOP